

Hydraulic Nozzles / Orifices

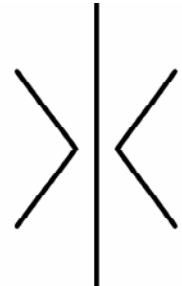


Very big stock → Wide range of nozzles available → Quick deliveries straight from stock

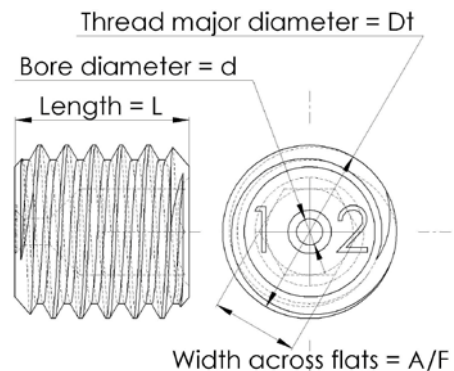
Bore-size marked on every nozzle !!!

- Easier nozzle identification (the right nozzle goes to the right place)
- Time saving (no need to measure the hole diameter)
- Less risk of mistakes ("small" errors can be extremely costly in hydraulics)

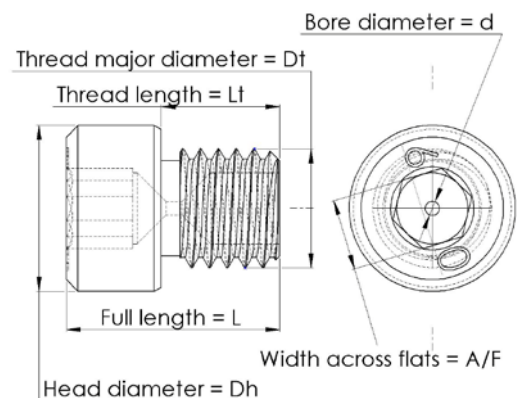
Bore diameters 0,2 - 1,0 mm: Sizes available in 0,05 mm step-intervals
 Bore diameters > 1,0 mm: Sizes available in 0,10 mm step-intervals



"Full thread"-nozzles			Dimensions	
Dt	Steel (d)	Brass (d)	L	A/F
M4	0,3 ... 1,7	0,2 ... 1,7	4,5	2
M5	0,3 ... 2,2	0,2 ... 2,2	5	2,5
M6	0,3 ... 2,7	0,2 ... 2,7	6	3
M7	0,3 ... 2,7	0,3 ... 2,7	7	3
M8	0,3 ... 3,7	0,2 ... 3,7	8	4
M10	0,3 ... 4,7	0,2 ... 4,7	10	5
M12	0,3 ... 5,7	0,2 ... 5,7	12	6
R 1/8"	0,3 ... 4,7	0,2 ... 4,7	10	5
R 1/4"	0,3 ... 5,7	0,2 ... 5,7	12	6



"Head"- nozzles			Dimensions			
Dt	Steel (d)	Brass (d)	Dh	L	Lt	A/F
M5	0,3 ... 2,8	0,2 ... 2,8	7	9	5	3
M10	0,3 ... 4,8	0,2 ... 4,8	11	12	8,5	5
R 1/8"	0,3 ... 4,8	0,2 ... 4,8	11	12	8,5	5



d > 1 mm: Marking format is X,X (example: d = 1,2 → 1 2)

d < 1 mm: Marking format is 0,XX (example: d = 0,6 → 6 0)

"Full-thread"-nozzles: Marking is behind the nozzle

"Head"-nozzles: Marking is visible from the installation direction

Antti Teittinen 14.05.2010

Nozzles / Orifices

Pricelist 2010

Prices are valid for all STEEL M5...M7 nozzles we have in stock	
Pieces ordered of the SAME NOZZLE Quantity	Unit-price for that nozzle-type €/ piece
1 - 9	3,00
10 - 49	1,80
50 - 199	1,60
200 -	1,50

Brass-nozzles: 0,10 € reduction from the steel unit prices

Small orders (total value < 100 €): 25 € additional charge (for the work required)

Please ask for a set of samples, free of charge

Orders: **fax: +358 3 2146 353** **e-mail: info@teittinen.fi**

Remember when ordering:

1) M-size or R-size 2) "full thread" or "head", 3) bore diameter, 4) steel or brass

ORDERING EXAMPLE:

30 pieces: head, M6, steel, d=1,0 ... (Unit-price = 1,80 €/piece)

50 pieces: head, M6, steel, d=0,60 ... (Unit-price = 1,60 €/piece)

3 pieces: full-thread, M6, steel, d=0,60 ... (Unit-price = 3,00 €/piece)

TOTAL: 30 x 1,80 EUR + 50 x 1,60 EUR + 3 x 3,00 EUR = 143 EUR